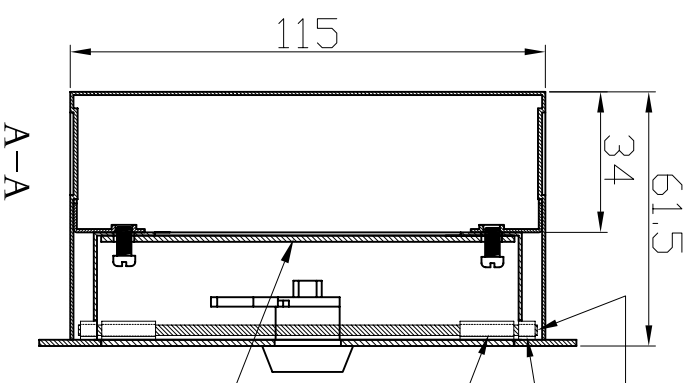
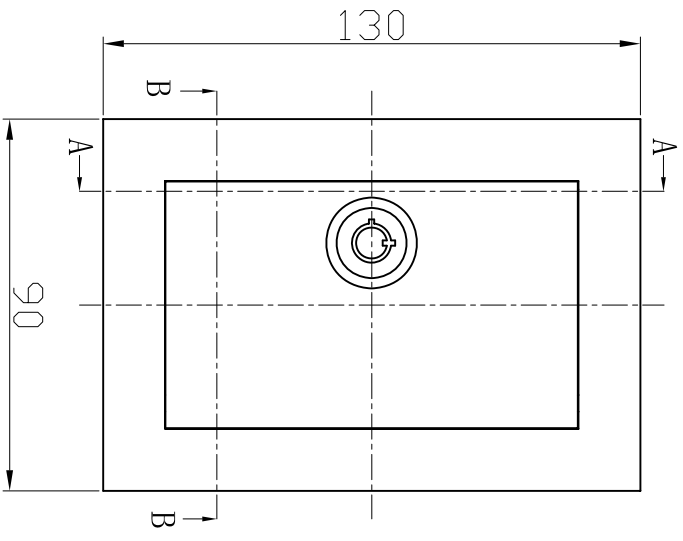
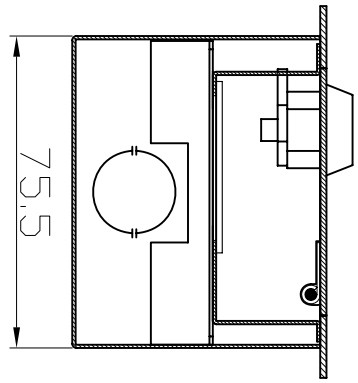


| RevNo | Revision note | Date | Signature | Checked |
|-------|---------------|------|-----------|---------|
|       |               |      |           |         |



2.5圆柱  
活页 (1)  
活页 (2)  
不锈钢片

**WO HING RADIO CO., LTD**

|                      |                |                          |          |     |
|----------------------|----------------|--------------------------|----------|-----|
| TITLE<br>不锈钢控制箱 总装配图 |                | MODEL NO.:               |          |     |
| MATERIAL             |                | PART NO.:                |          |     |
| FINISH               |                | REF. MODEL.:             | MB-1000L |     |
| DWN./DATE:           | 谢高亮 2009.07.17 | DO NOT SCALE THE DRAWING |          |     |
| CHK./DATE:           |                |                          | SCALE:   | 1:1 |
| APP./DATE:           |                |                          | UNIT:    | MM  |
|                      |                | QTY:                     |          | 1   |

技术要求：  
产品需去除锐角，批锋。