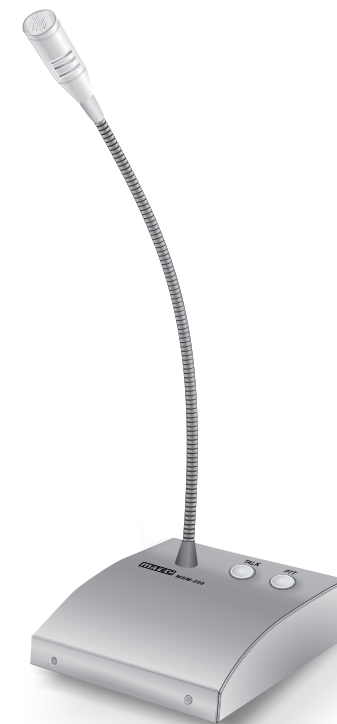


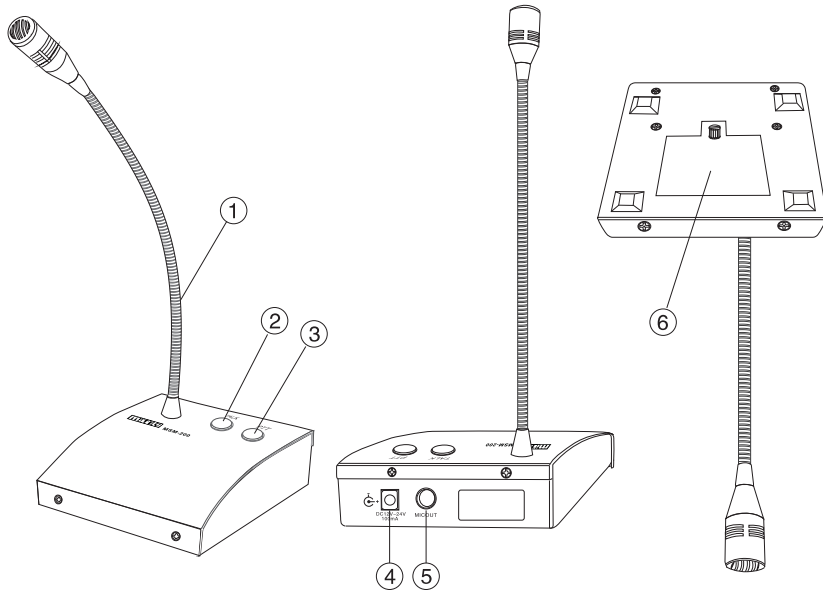
miTEC DESKTOP MICROPHONE

MSM-200

USER MANUAL



Functions description



1. Microphone pole

2. Call Button Lock

Touch the button, Blue indicator light, The unit enters the call state,
Until the button again, Less blue light, Call ends.

3. PTT button (PRESS TO TALK)

Press and hold the button, Blue indicator light, The unit enters the call state,
Until you release the key, Less blue light, Call ends.

4. External power supply

External DC12V-24V, More than 100mA power adapter

(Attention to its polarity)

5. Output Interface (Φ6.3 Mono socket)

Unbalanced output, Can be connected to a mixer or amplifier microphone
inputs such as.

6. Built-in battery box

Built four "AA" batteries (Optional)

Note: When not using the unit for a long time, Remove the battery.

Specification

〈 1 〉 Microphone Type:	Capacitive
〈 2 〉 Frequency Response:	100-16000Hz
〈 3 〉 Directivity:	Cardioid
〈 4 〉 Sensitivity:	-40 ± 2dB
〈 5 〉 Output Impedance:	2Kohm
〈 6 〉 External power supply:	DC 12V - 24V 100mA
〈 7 〉 Battery:	" AA " x 4PCS (Optional)
〈 8 〉 Shell:	Stainless steel
〈 9 〉 Size:	100(W)X123(D)X320(H)mm
〈 10 〉 Weight:	0.61Kg