

Access Control Keypad

MKP-6221 & MKP-6222



MKP-6221 & MKP-6222 are stand alone keypad, which have anti-vandal design to advance user's secure measures. These two keypad also provide card reading, AUX and door monitoring function to help to increase the security function for any access control system. MKP-6222 have also provided Wiegand Output to enhance the feasibility to match other access control system for data transmissions.

Features:

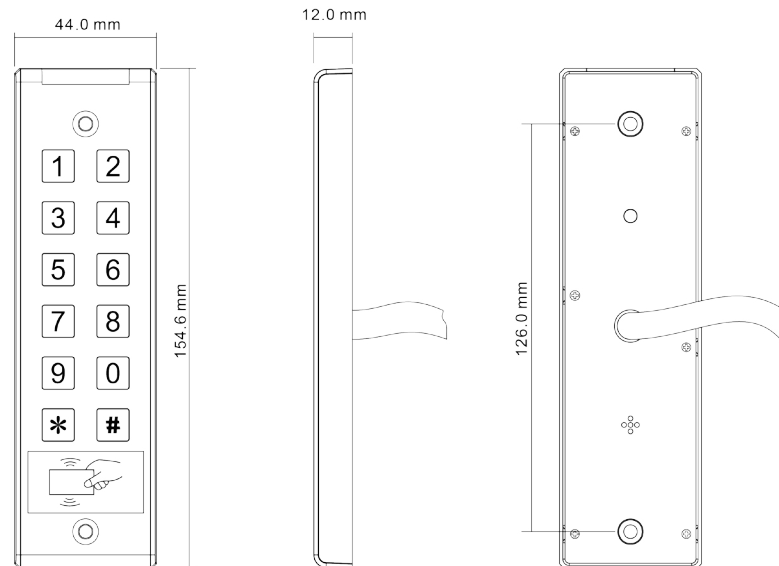
- Piezoelectric button
- Built-in Card Reader(125KHz)
- 600 User Card & Pin Code
- 2 Programmable Relay Output
- 4 Color LED & Audible Indication
- Door Monitoring Function
- 4 Wires From Keypad to Control
- Protection Classification(Meets IP65)

| | MKP-6222 | MKP-6221 |
|--------------------------------------|---|---|
| ELECTRICAL CHARACTERISTICS | | |
| Power Input | 12 to24V DC or AC, from a regulated power supply | 12 to24V DC or AC, from a regulated power supply |
| Maximum Input Current | 170 mA at 12VDC | 170 mA at 12VDC |
| Standby Input Current | 80 mA at 12VDC | 80 mA at 12VDC |
| Relay Output Loading | Max. 2 Amps Normally Open or Normally Closed (Lock & Aux. Relays) | Max. 2 Amps Normally Open or Normally Closed (Lock Relays Only) |
| AL- Output Loading | Max. 500mA at 12VDC | - |
| OPERATIONAL CHARACTERISTICS | | |
| P.B. Input (REX) | Normally Open (Dry Contact) for activating the lock relay | Normally Open (Dry Contact) for activating the lock relay |
| REED Input | Normally Close (Dry Contact) for door monitoring | Normally Close (Dry Contact) for door monitoring |
| Capacity | 600 User Card & Pin Code | 600 User Card & Pin Code |
| Weigand Output | 26 bit & 34 bit | - |
| LED Indication | 4 Color LED: Power/Program, Lock Out and Aux Out status | 4 Color LED: Power/Program, Lock Out and Aux Out status |
| ENVIRONMENTAL CHARACTERISTICS | | |
| Operating Environment | IP 65 | IP 65 |
| Operating Humidity | 0 to 95% Non-condensing | 0 to 95% Non-condensing |
| Operating Temperature | -20°C to 60°C | -20°C to 60°C |
| PHYSICAL CHARACTERISTICS | | |
| Dimensions | 44 (W) x 155 (H) x 12 (D) mm | 44 (W) x 155 (H) x 12 (D) mm |
| Weight (Approx.) | 250g | 230g |

Access Control Keypad

MKP-S6220 & MKP-6221 & MKP-6222

Structure Diagram



Related Product



PSBM Series Enclosed Switching Mode Power Supply

- Up to 300W
- PSBM- 1210/1220/2410
- Universal AC Input (AC100-240V)



New 5U Series DIN-RAIL Switching Power Supply

- Output Power to 69W
- Adjustable Output
- Built-in Backup Battery
- Fully Input and output protections



New 3U Series DIN-RAIL Switching Power Supply

- Output Power to 42W
- Adjustable Output
- Built-in Backup Battery
- Fully Input and output protections



MSW-201 Microwave Door Sensor

- Wall or Ceiling Mount
- Adjustable Relock Timer
- Adjustable Sensor Range
- Power Input: DC12V

Additional Information

Please visit our Web page for more information: www.mitec.com.hk