

MKP-3500

MKP-3500 has an exclusive figure, free from traditional boring appearance, gentle but outstanding backlight effects, plus IP65 for using indoor or outdoor situation. While being good looking, MKP-3500 will help users to reduce the confusing multi access devices, condense keypad, card reader and doorbell into one single device. A simple but highly secure product. Which makes MKP-3500 become the idealist access control product for corporations, offices or apartments etc.



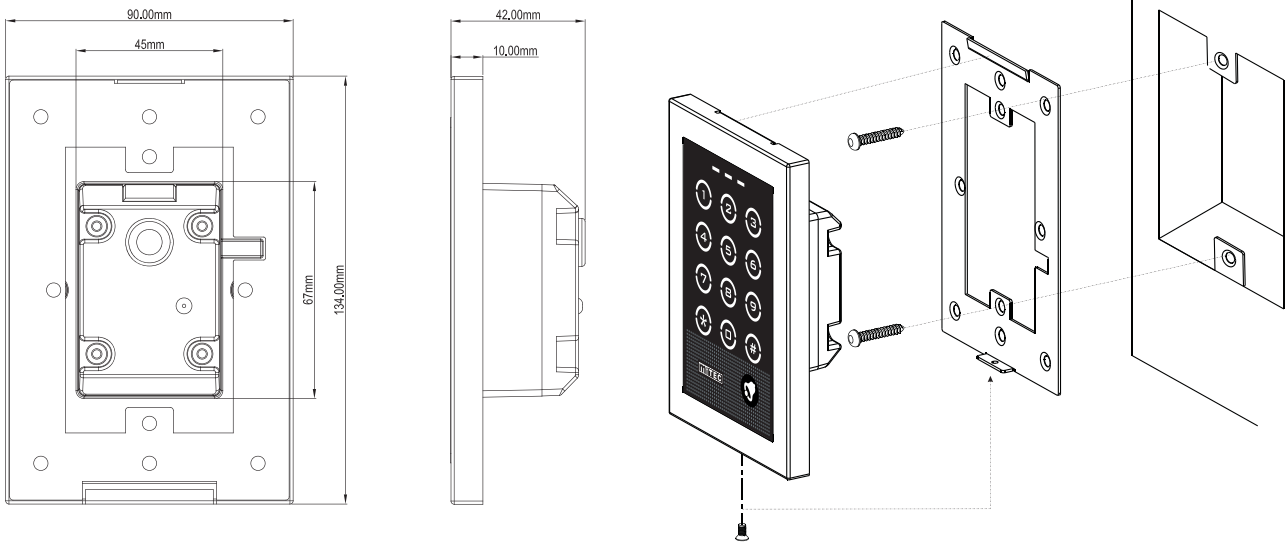
Features:

- 3 LED Display
- 125 KHz EM card
- 600 User Card & PIN Code
- 2 Programmable Relay Output
- Door Monitor Function
- Alarm Signal Output
- IP65
- AC/DC12-24V

ELECTRICAL CHARACTERISITICS	
Power Input	12 to 24V DC or AC, from a power supply
Maximum Input Current	200 mA at 12VDC
Standby Input Current	85 mA at 12VDC
Relay Output Loading	Max 3 Amps Normally Open or Normally Closed (Lock & Aux. Relays)
AL- Output Loading	Max. 500mA at 12 VDC
OPERATIONAL CHARACTERISITICS	
P.B. Input (REX)	Normally Open (Dry Contact) for activating the lock relay
REED Input	Normally Close (Dry Contact) for door monitoring
Capacity	600 User Card & PIN code
Wiegand Output	26 bit & 34 bit
LED Indication	3 LEDs: Power/Program, Lock Out and Aux Out status
ENVIRONMENTAL CHARACTERISITICS	
Operating Environment	IP 65
Operating Temperature	-20°C to 60°C
Operating Humidity	0 to 95% Non-condensing
PHYSICAL CHARACTERISITICS	
Dimensions	90 (W) x 134 (H) x 10 - 42 (D) mm
Weight (Approx.)	270 g

MKP-3500

Structure Diagram



Related Product



MSP-125T
E - Lock Power Supply

- Universal AC Input
- Regulated DC13.8V Output
- 5A current Output
- Timer : 0~30 sec



MDR-350/UK
Piezoelectric Switch with
Stainless Steel Plate

- Power Source : DC 12~24V
- Flush Mount (IP65)
- Latch or Timer Relay Output
- Selectable Illumination Status
- Contact Rated : DC 30V/2A



BR - 2072
Door & Gate Monitor

- Magnetic Contact (NC)
- 18" Armored Cable
- L Bracket
- Action Distance: max. 75mm
- Size: 77L x 25.5W x 13.5H mm



MDR-303 Series
Siren with LED Flash Lamp

- LED Flash Lamp (Built-in Buzzer)
- Red/ Green/ Yellow/ Blue Color
- Power Input: DC 12V
- Size: 86W x 86H x 45D mm

Additional Information

Please visit our Web page for more information: www.mitec.com.hk